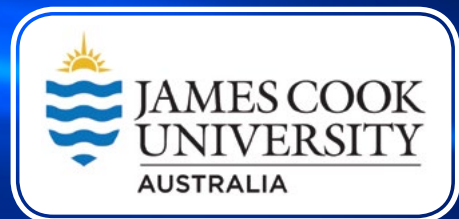


BLOCKFAST



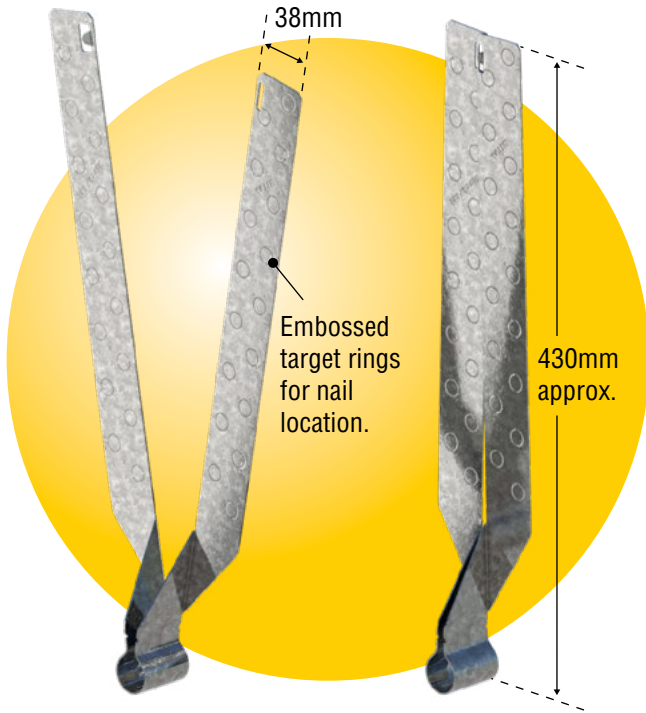
Tested at:



Test Report No. TS1030.



creating the **advantage**



FOR EFFICIENT TIE DOWN TO CONCRETE MASONRY

APPLICATION:

BlockFast is a fast and simple installation system for holding down roof trusses to masonry block series 150, 200 or larger. They are used to tie down roof trusses to bond beams in masonry walls to resist very high uplift.

ADVANTAGES

- Easier and faster than heavy steel cleats, BlockFast straps can be slipped into place in any number of ways and do not require pre-drilling or bolting.
- The BlockFast loop holds the strap in place onto the rebar and a clasp to facilitate installation.
- For additional uplift capacity, a pair of BlockFast straps may be located on both sides of the truss.
- Target rings on the BlockFast strap help the user aim and accurately locate gun nails.

SPECIFICATIONS:

Steel	Grade G500
Thickness (Total Coated)	1.2mm
Galvanized Coating	Z600
Pneumatic Nails	FAP32V5 (32mm x 2.5mm dia.) hardened electro-galvanized
Screws (Optional)	MiTek MSA1430
Product Code	BF

This Engineered Building Product has been designed and manufactured in accordance with ISO 9001 and meets all the requirements of the National Construction Code Series and Australian Standards.



LOAD DATA

The limit state design cyclonic wind uplift capacity of a BlockFast Strap encased in blockwork 20MPa reinforced concrete or better is listed in Table 1.

Table 1. Limit State Design Cyclonic Wind Uplift Capacity (kN)		
Fixing Type	No. of BlockFast	Design Capacity (kN)
Truss Heel - Single (Figure 1)	1	22
Truss Heel - Double (Figure 2)	2	44
Internal support - (Figure 3)	1	22
Internal support - (Figure 4)	1	20

The uplift capacity has been obtained from the following laboratory tests:

- MiTek Australia Ltd - Test Report No. 150326.
- James Cook University Cyclone Testing Station Report No. TS1030.

NOTE:

Values in this table incorporate the Category 1 capacity factor (ϕ) for houses. For other categories multiply the design capacities by the following factors. Refer to AS1720.1 for a full definition of each category.

Category	1	2	3
Adjustment factor	1.00	0.94	0.88

Important Notes:

1. Use only the nails specified. These must be driven through target rings to achieve adequate spacing.
2. Appropriate safety gear must be worn during nailing.
3. Minimum concrete strength is 20MPa.
4. Underside of bond beam rebar to be 75mm below concrete surface.
5. Vertical reinforcing hook is required beside each BlockFast when design uplift exceeds 13.4kN.
6. Designer is to ensure adequate sizing of vertical and horizontal reinforcing to resist design uplift, especially when double BlockFast is used.

Fix each leg with 1 pneumatic nail (or 1 MiTek screw) on top and 4 nails (or 2 MiTek screws) on each face of truss

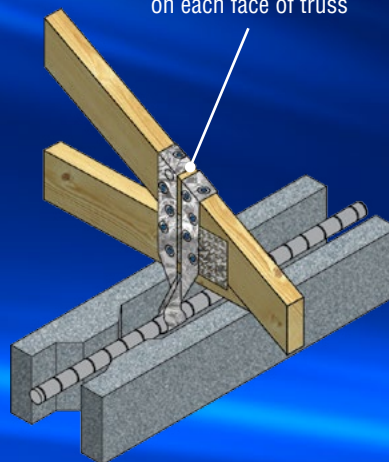


Figure 1

Fix each leg with 1 pneumatic nail (or 1 MiTek screw) on top and 4 nails (or 2 MiTek screws) on each face of truss

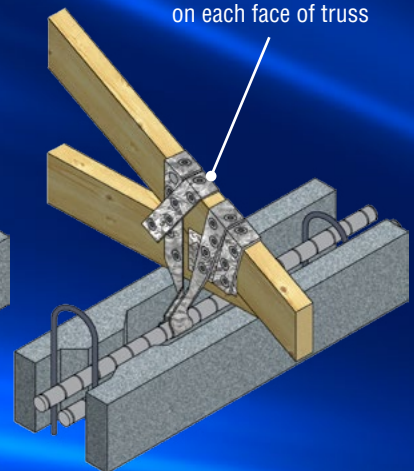


Figure 2

Fix each leg with 1 pneumatic nail (or 1 MiTek screw) on top & 4 pneumatic nails (or 2 MiTek screws) on each face of truss

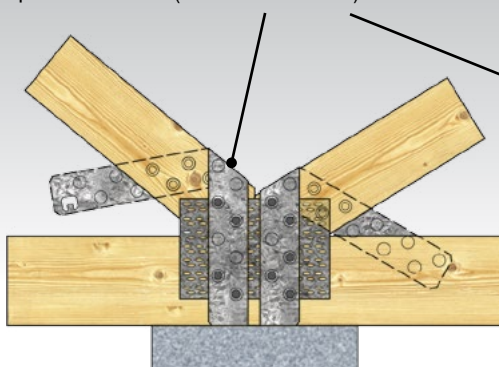


Figure 3

Fix 17 (JD5), 14 (JD4) or 10 (JD3) pneumatic nails or fix 7 (JD5), 5 (JD4) or 4 (JD3) MiTek screws along vertical leg on one side

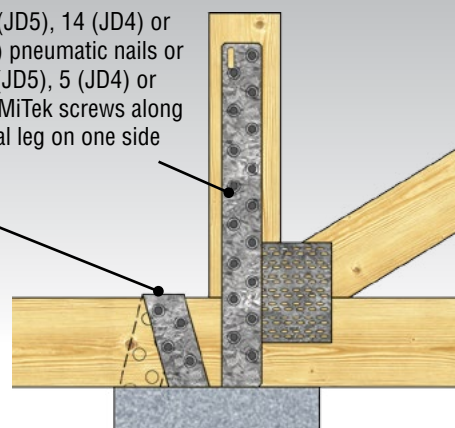
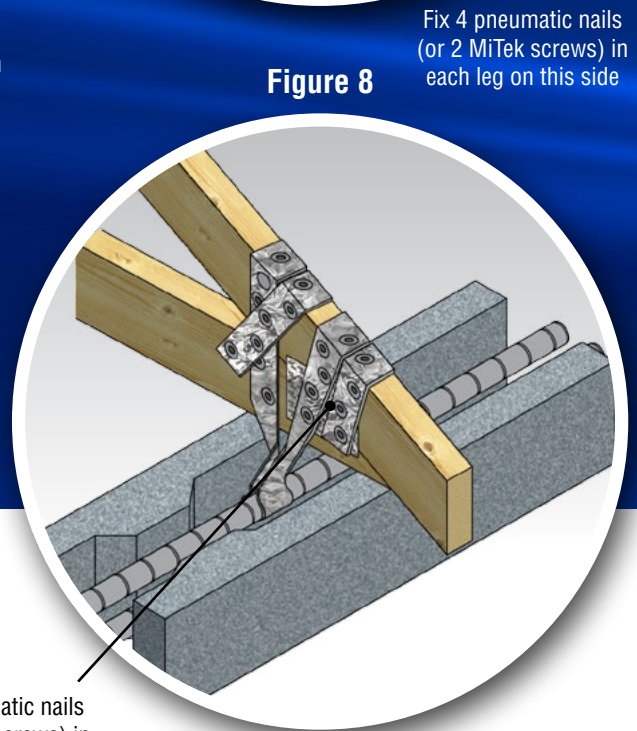
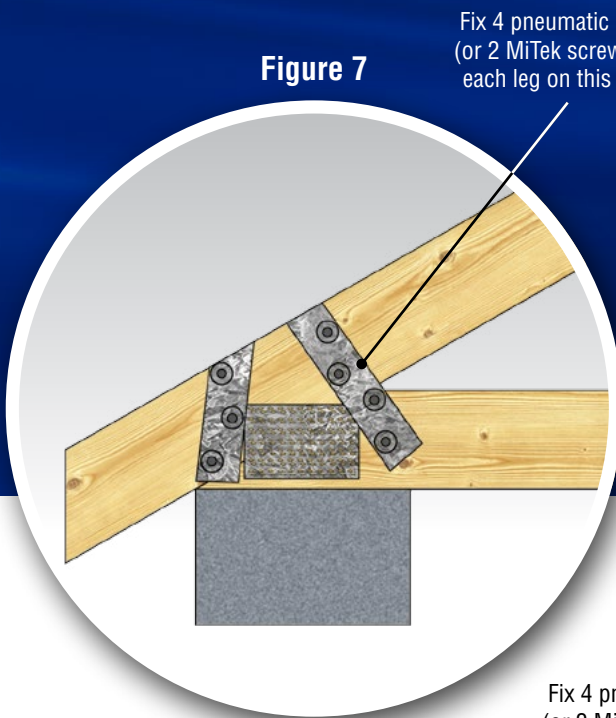
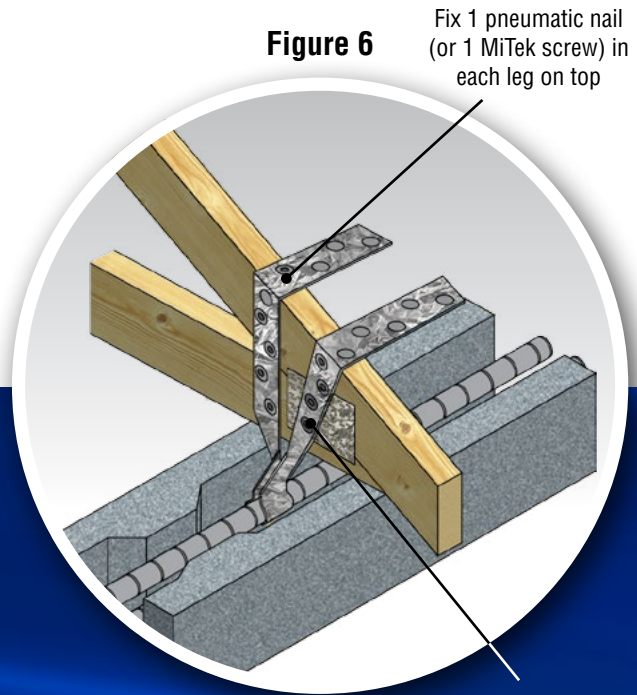
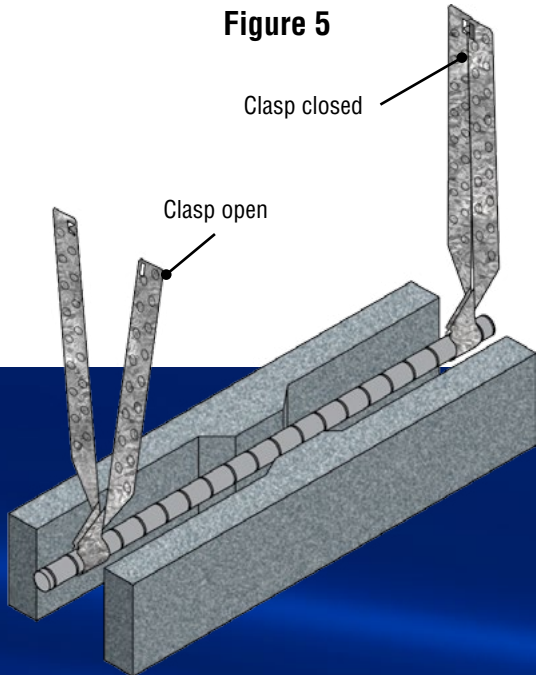


Figure 4

BLOCKFAST - INSTALLATION

1. Loop the BlockFast strap around a single horizontal rebar and clip both legs together with the built in clasp in an upright position (Figure 5).
2. During concrete pour, straighten the BlockFast strap as required with clasp open or closed. Ensure no air pockets are trapped in the concrete.
3. After the concrete is set, position the truss hard against the BlockFast strap and fix 4 pneumatic nails in each leg from the bottom up (Figure 6).
4. Bend each leg tightly over top of truss and fix 1 pneumatic nail on top (Figure 6).
5. Wrap each leg tightly over opposite face and fix 4 pneumatic nails in each leg from top down (Figure 7 and 8).



For more information about MiTek's Engineered Building Products or any other MiTek products or your nearest licensed MiTek fabricator, please call your local state office or visit: mitek.com.au



BF-08/16

HOME OF GANG-NAIL BUILDING SYSTEMS

creating the **advantage**

VIC (03) 8795 8888 NSW (02) 8525 8000 QLD (07) 3861 2100 SA (08) 8234 1326 WA (08) 9412 3534 New Zealand (09) 274 7109