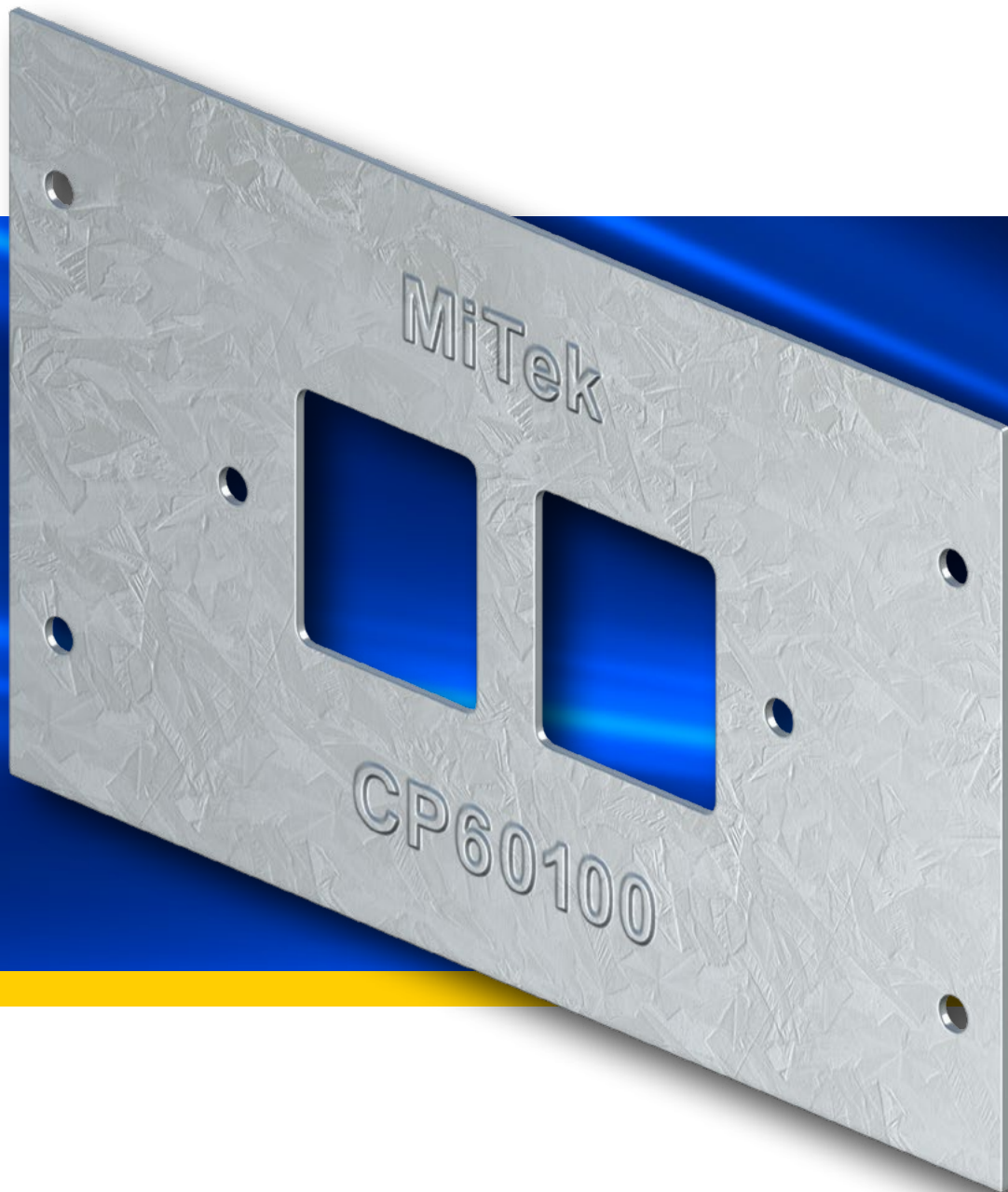
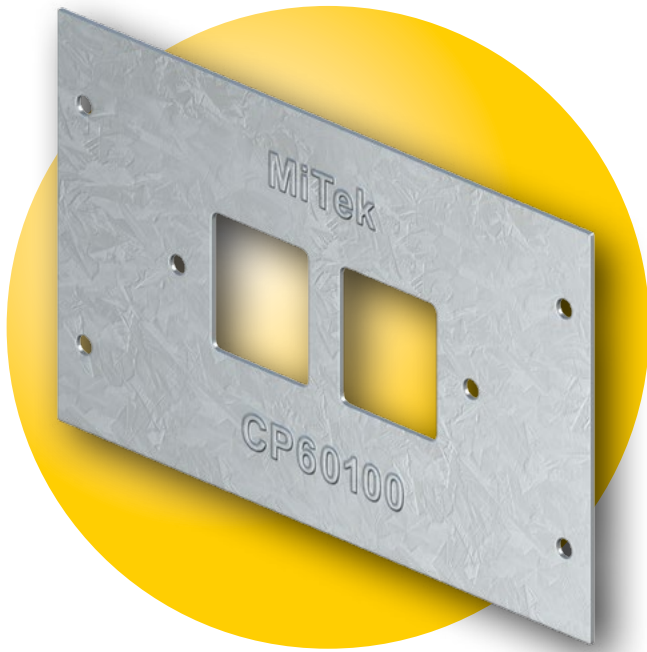


ENGINEERED BUILDING PRODUCTS

CONNECTOR PLATE



creating the **advantage**



IDEAL FOR A VARIETY OF BUILDING APPLICATIONS

APPLICATION:

Nail one side with 3 nails, then pull members together and nail the other side with 3 nails.

USES

- ConnectorPlate is a quick, simple and easy to use method of joining two pieces of timber.

ADVANTAGES

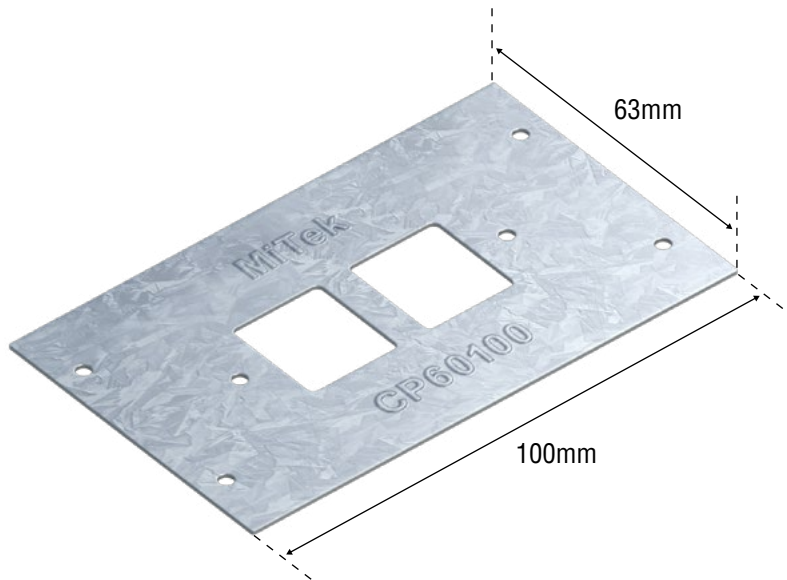
- Designed for use in conjunction with a lever to pull two members together.

SPECIFICATIONS:

Steel Grade	G300
Thickness (Total Coated)	0.8 mm
Galvanized Coating	Z275
Nails	MiTek 30 x 2.8mm hot dipped galvanized reinforced head.
Product Code	CP60100

This Engineered Building Product complies with the National Construction Code Series and Australian Standards.

CONNECTOR PLATE - LOAD DATA



LOAD DATA

Limit State Design Capacity per ConnectorPlate (kN)										
Joint Group										
Load Case	J2	J3	J4	J5	J6	JD2	JD3	JD4	JD5	JD6
DL Only	1.6	1.2	0.8	0.6	0.4	2.1	1.6	1.2	1.0	0.7
DL + WL	3.3	2.3	1.6	1.2	0.9	4.1	3.3	2.3	1.9	1.4

Values in this table incorporate the Category 1 capacity factor (ϕ) for houses. For other categories, multiply the design capacities by the following factors. Refer to AS1720.1 for a full definition of each category.

Category	1	2	3
Adjustment factor	1.00	0.94	0.88

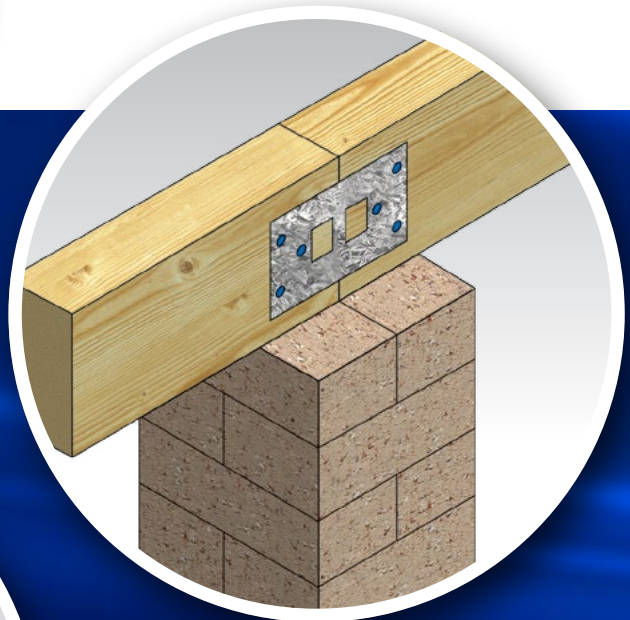
CONNECTOR PLATE - INSTALLATION

1. Use 6 MiTek 30 x 2.8mm hot dipped galvanized reinforced head nails per connector for maximum load efficiency.

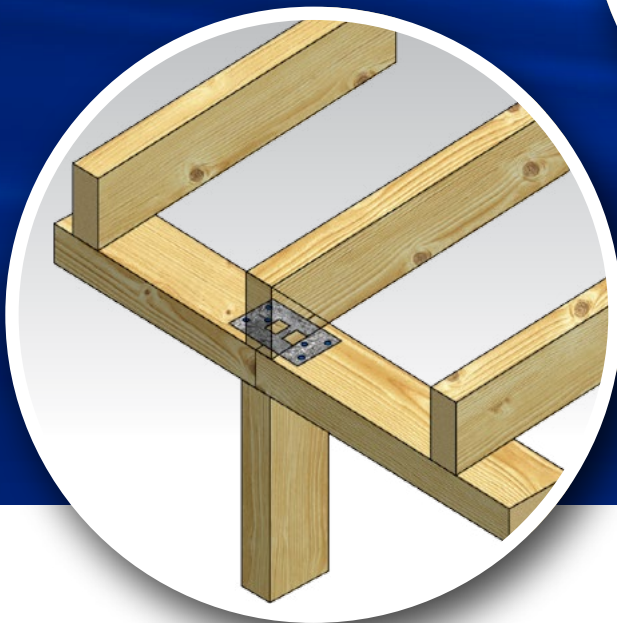
Top plate corner connection



Floor bearers at support points



Slot allows for skew nailing of joists or rafters



For more information about MiTek's Engineered Building Products or any other MiTek products or your nearest licensed MiTek fabricator, please call your local state office or visit: mitek.com.au



CP60100 07/15

HOME OF GANG-NAIL BUILDING SYSTEMS

creating the **advantage**

VIC (03) 8795 8888 NSW (02) 8525 8000 QLD (07) 3861 2100 SA (08) 8234 1326 WA (08) 9412 3534 New Zealand (09) 274 7109