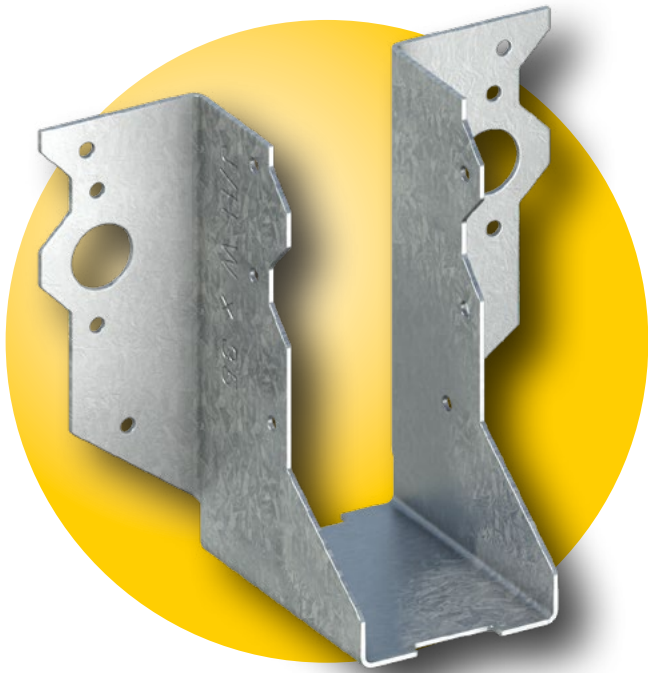


ENGINEERED BUILDING PRODUCTS

# PERGOLA FIXING



creating the **advantage**



## **THE SIMPLE WAY TO SECURE PERGOLAS TO FASCIAS**

### **APPLICATION:**

MiTek Joist Hangers provide a quick and efficient method to fix timber pergolas to existing timber or steel fascia boards.

### **USES**

- Joist Hangers provide a simple but effective method of securing timber pergola beams to existing timber fascia boards.
- See over for use with metal fascia.

### **ADVANTAGES**

- Joist Hangers are suitable for a variety of fascia styles.
- Fixing methods can be easily achieved for different fascia styles without the need to remove gutter or disturb existing fascia details.

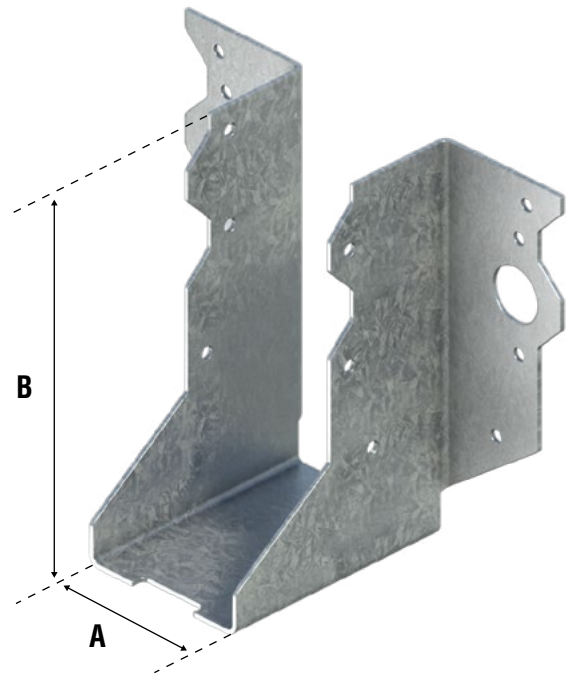
### **SPECIFICATIONS:**

<b>Steel Grade</b>	<b>G300</b>
<b>Thickness (Total Coated)</b>	<b>1.0mm</b>
<b>Galvanized Coating</b>	<b>Z275</b>
<b>Nails</b>	<b>MiTek 30 x 2.8mm galvanized reinforced head.</b>
<b>Product Code</b>	<b>See Table</b>

**This Engineered Building Product complies with the National Construction Code Series and Australian Standards.**

# PERGOLA FIXING - INSTALLATION

Joist Hanger Sizes			
Product Code	Type	Dimensions(mm)	
		A	B
JH4090	40 x 90	41	82
JH40120	40 x 120	41	115
JH40190	40 x 190	41	180
JH5090	50 x 90	51	77
JH50120	50 x 120	51	110
JH50190	50 x 190	51	175



## STEEL FASCIA DETAIL

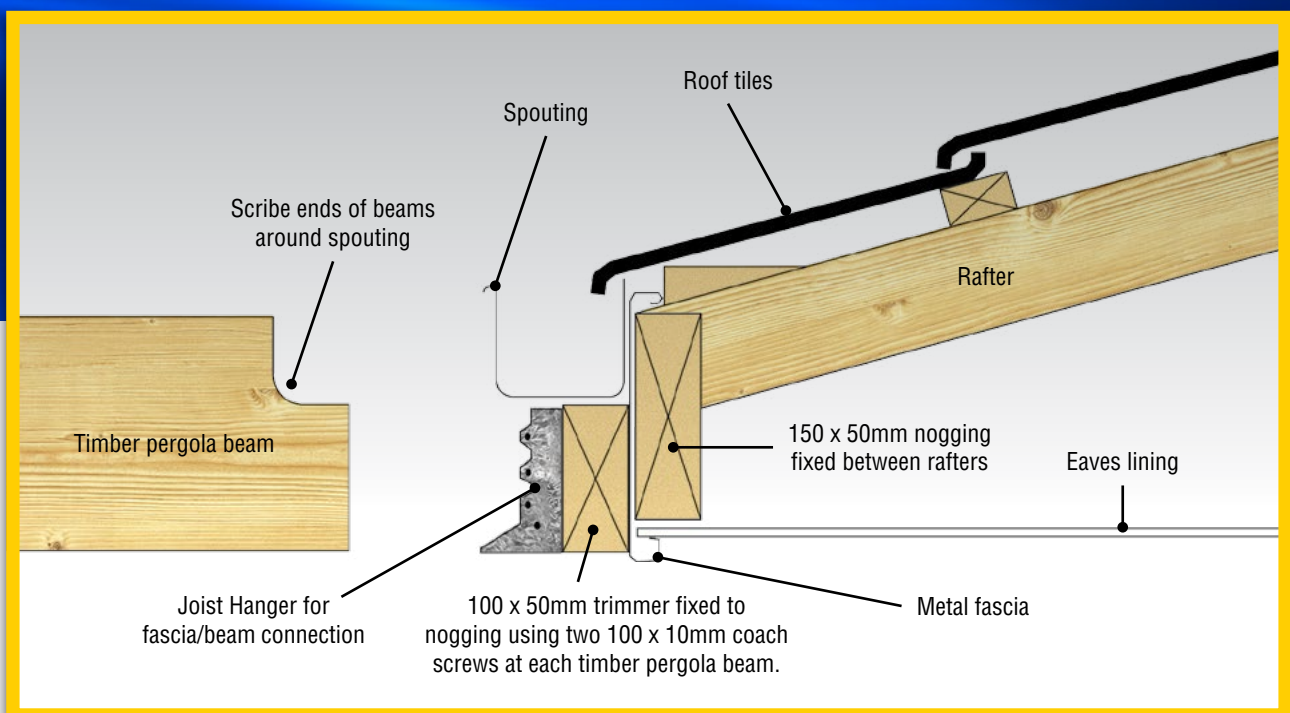
To fix a pergola to steel fascia, the steel fascia must first be reinforced by installing 150 x 50mm noggings between rafters. A timber trimmer can then be fixed to steel fascia by coach screwing to noggings.

A Joist Hanger to suit pergola beam thickness and distance between gutter and bottom of trimmer can then be fixed at pergola beam spacing.

**NOTE:** Rafter overhang should be checked by an engineer to carry additional weight from pergola beam.

## COMMON INSTALLATION

1. Locate the Joist Hanger accurately, then drive five MiTek 30 x 2.8mm galvanized reinforced head nails through all holes in each wing.
2. Place beam into position and drive three 30 x 2.8mm galvanized reinforced head nails through holes in each side of boot.



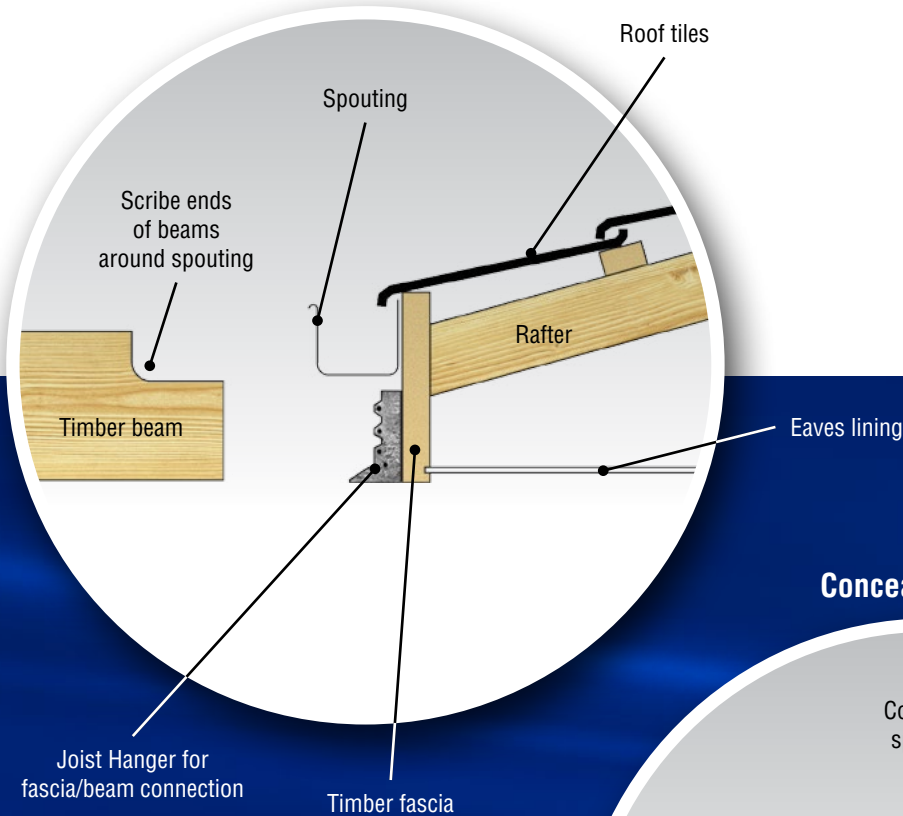
## STANDARD GUTTER DETAIL

1. Select a Joist Hanger size to suit timber pergola beam thickness which will fit between bottom of timber fascia and underside of gutter.
2. Fix Joist Hangers so that shoe is level with bottom of fascia.

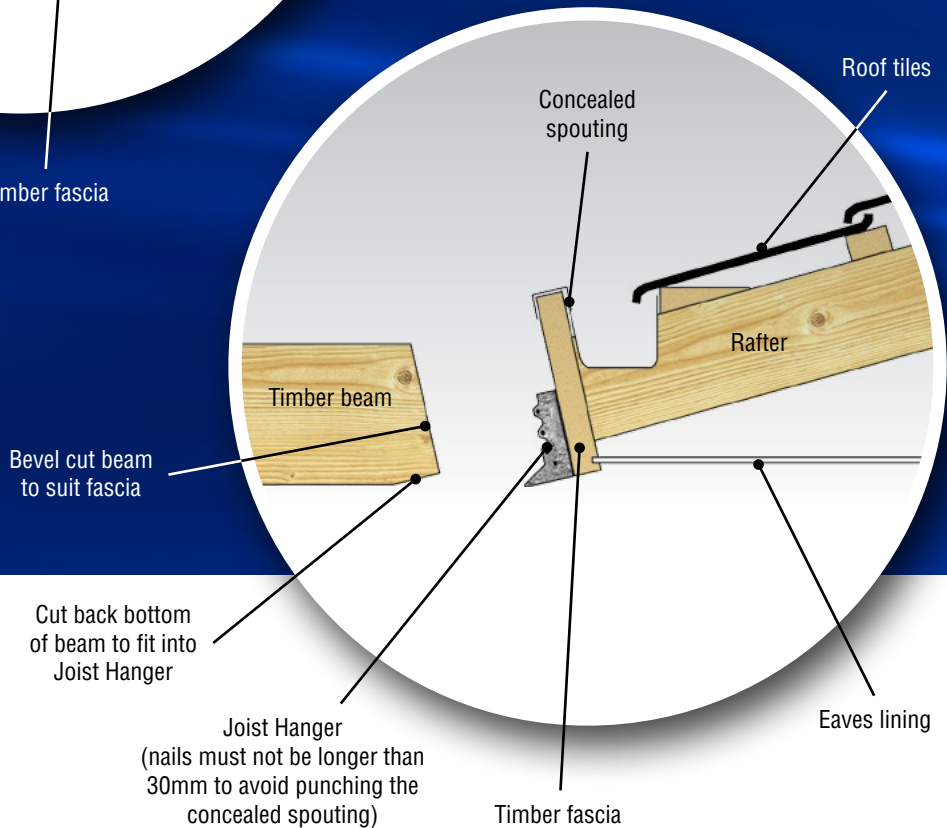
## CONCEALED GUTTER DETAIL

1. Fasten Joist Hangers to fascia using a string line to achieve a straight line, placing the bottom of Joist Hanger approximately 25mm above the level of the bottom of pergola beam. This will allow the bottom of the pergola beam to be trimmed to sit neatly in the shoe of the Joist Hanger.

### Standard Gutter



### Concealed Gutter



For more information about MiTek's Engineered Building Products or any other MiTek products or your nearest licensed MiTek fabricator, please call your local state office or visit: [mitek.com.au](http://mitek.com.au)



PG 07/15