

FLOOR & ROOF TRUSSES

Posi-bly our smartest App yet...



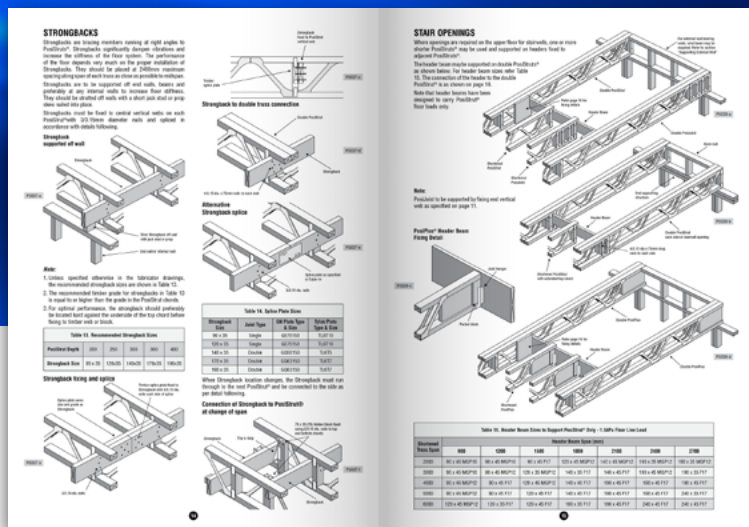


MiTek's PosiStrut App is an electronic catalogue giving you instant access to information about PosiStrut ROOF and FLOOR trusses. It contains the latest installation guides, case studies and links to short, instructional videos demonstrating the amazing versatility of this ingenious truss...and more! Plus, there's an inbuilt PosiStrut Floor Span Calculator that provides you with detailed information on serviceability and dynamic performance, to allow an informed choice of materials to be selected that best suit your needs.

ADVANTAGES

- Easy to navigate
- Colour-coded ROOF & FLOOR sections
- Detailed installation guides and support literature
- Informative video links

The MiTek PosiStrut App gives you ready access to valuable information about PosiStrut ROOF and FLOOR Systems...including a special section on MiTek's very popular PosiStrut Flooring Cassettes. It is very easy to navigate, even allowing the user to find facts fast with a 'search' feature – plus the ability to go straight to a 'favourites' section. There's also a 'Help' section with standard Qs & As – and a 'Contact' feature where you can send in questions and have them answered by a qualified MiTek Engineer. Having a handy, on-site reference tool like the MiTek PosiStrut App makes so much sense. The best thing though: the MiTek PosiStrut App is FREE.



Google Play and the Google Play logo are trademarks of Google Inc.



Download from the Mac App Store, the Google Play store or visit: mitek.com.au/posistrutapp Or call your local state office.