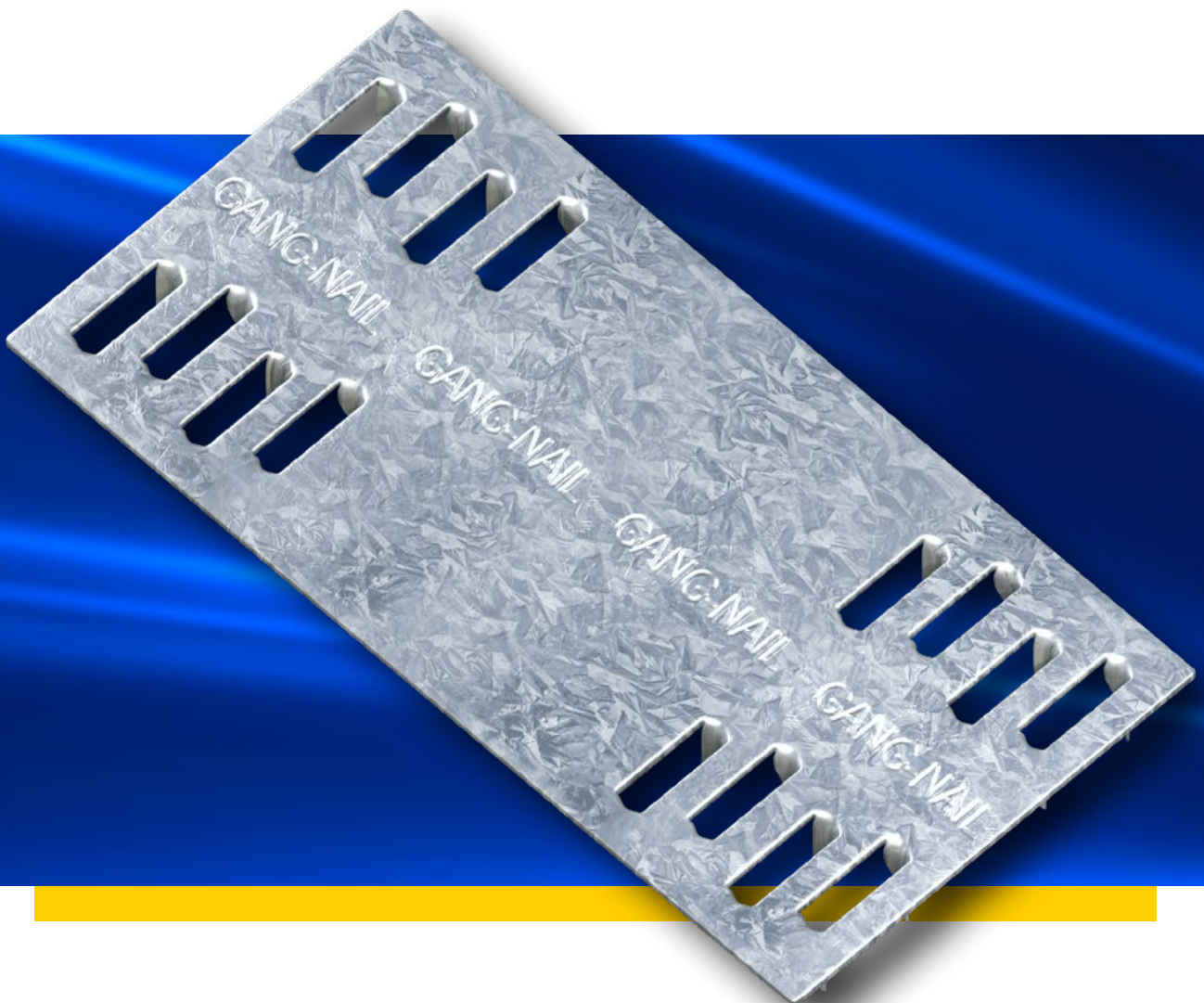


ENGINEERED BUILDING PRODUCTS

STRAPNAIL



creating the **advantage**



MULTI PURPOSE TIMBER FASTENER

APPLICATION:

StrapNails are very versatile fasteners often used for joining timber wall frames, manufacturing bay window frames and frames generally.

USES

- StrapNails can be used as a fastener in most applications where one timber member is to be butted against another.
- Ideal for use in the manufacture of frames, cupboards and benches

ADVANTAGES

- StrapNails integral teeth ensure ease of use.
- Gang-Nail teeth provide strong, tight joints.
- No separate nailing or drilling required.

SPECIFICATIONS:

Steel Grade	G300
Thickness (Total Coated)	1.0 mm
Galvanized Coating	Z275
Product Code	See Table

**This Engineered Building Product complies with the
National Construction Code Series and Australian Standards.**

STRAP NAIL - SIZES

Product Code:	Size	Qty:
SN50100S	50 x 100mm	150
SN50100L	50 x 100mm	400
SN75100	75 x 100mm	100



LOAD DATA

Limit State Design Capacity per StrapNail (kN)								
Size	Load Case	Joint Group						
		J2	J3	J4	JD3	JD4	JD5	JD6
50 x 100	DL Only	2.0	1.7	1.2	2.1	1.5	1.4	1.2
	DL + WL	4.1	3.5	2.4	4.3	3.0	2.7	2.3
75 x 100	DL Only	3.0	2.6	1.8	3.2	2.2	2.0	1.7
	DL + WL	6.1	5.2	3.6	6.4	4.5	4.1	3.5



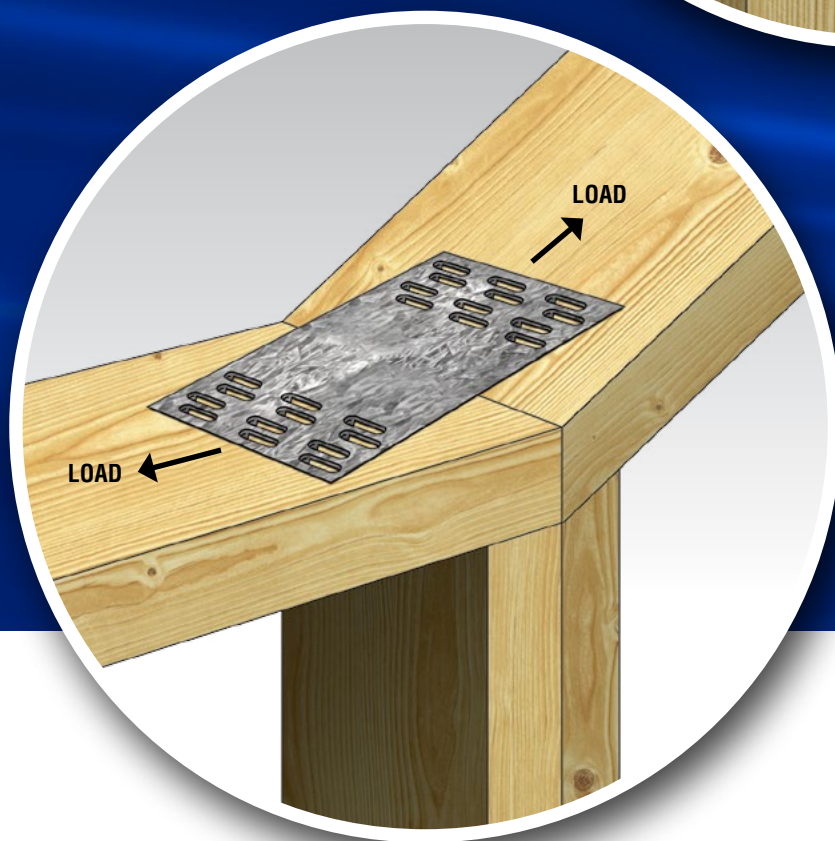
Values in this table incorporate the Category 1 capacity factor (ϕ) for houses. For other categories, multiply the design capacities by the following factors. Refer to AS1720.1 for a full definition of each category.

Design capacities have been obtained from laboratory testing and procedures given in AS1720.1.

Category	1	2	3
Adjustment factor	1.00	0.94	0.88

STRAPNAIL - INSTALLATION

1. StrapNails may be driven into timber using a broad faced hammer. When hammering, strike the centre of each nail group alternately so that the StrapNail is driven in evenly.



For more information about MiTek's Engineered Building Products or any other MiTek products or your nearest licensed MiTek fabricator, please call your local state office or visit: mitek.com.au



SN 07/15

HOME OF GANG-NAIL BUILDING SYSTEMS

creating the **advantage**

VIC (03) 8795 8888 NSW (02) 8525 8000 QLD (07) 3861 2100 SA (08) 8234 1326 WA (08) 9412 3534 New Zealand (09) 274 7109